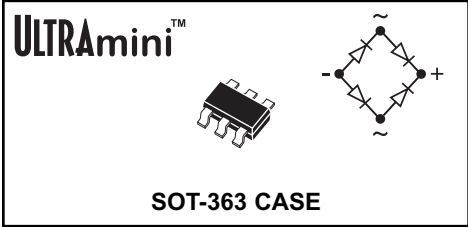




CMKBR-6F
SURFACE MOUNT ULTRAmi™
SILICON BRIDGE RECTIFIER



Central™

Semiconductor Corp.

DESCRIPTION:

The CENTRAL SEMICONDUCTOR CMKBR-6F is a monolithic silicon full wave bridge rectifier, epoxy molded in a SOT-363 surface mount package. This device has been designed for use in computers and peripheral equipment requiring high speed switching, small size, and closely matched V_F .

MARKING CODE: CBR3

FEATURES:

- Monolithic construction
- All diodes share closely matched electrical characteristics
- Fast switching
- Very small size

MAXIMUM RATINGS: ($T_A=25^\circ\text{C}$)

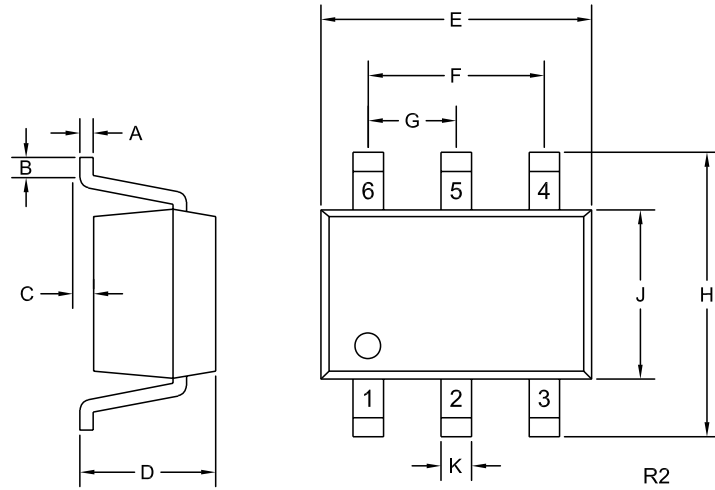
Peak Repetitive Reverse Voltage	
Continuous Forward Current	
Power Dissipation	
Operating and Storage Junction Temperature	
Thermal Resistance	

SYMBOL		UNITS
V_{RRM}	60	V
I_F	140	mA
P_D	350	mW
T_J, T_{stg}	-65 to +150	$^\circ\text{C}$
Θ_{JA}	357	$^\circ\text{C/W}$

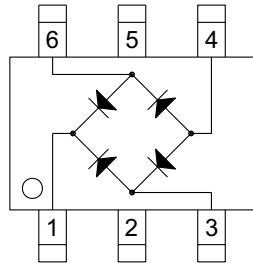
ELECTRICAL CHARACTERISTICS PER DIODE: ($T_A=25^\circ\text{C}$ unless otherwise noted)

SYMBOL	TEST CONDITIONS	MIN	TYP	MAX	UNITS
I_R	$V_R=50\text{V}$			10	nA
BV_R	$I_R=100\mu\text{A}$	60			V
V_F	$I_F=20\text{mA}$			1.0	V
C_T	$V_R=0, f=1.0\text{MHz}$		5.0		pF
t_{rr}	$I_F=I_R=10\text{mA}, I_{rr}=1.0\text{mA}$		1000		ns

SOT-363 CASE - MECHANICAL OUTLINE



PIN CONFIGURATION



LEAD CODE:

- 1) DC+
- 2) NC
- 3) AC
- 4) DC-
- 5) NC
- 6) AC

MARKING CODE: CBR3

SYMBOL	INCHES		MILLIMETERS	
	MIN	MAX	MIN	MAX
A	0.004	0.010	0.10	0.25
B	0.005	-	0.12	-
C	0.000	0.004	0.00	0.10
D	0.031	0.043	0.80	1.10
E	0.071	0.087	1.80	2.20
F	0.051		1.30	
G	0.026		0.65	
H	0.075	0.091	1.90	2.30
J	0.043	0.055	1.10	1.40
K	0.006	0.012	0.15	0.30

SOT-363 (REV: R2)